

**SURVEY FOR:  
BRENDA RICHEY**

**NEW DESCRIPTION FOR 1.00 ACRE:**

The East 1.00 acre of the West 594 feet of the N/2 NW SW SW of Section 14, T3N, R19E, I.B.M., Latimer County, Oklahoma, more particularly described as follows: COMMENCING at the SW corner of the N/2 NW SW SW; thence N 89°06'13" E along the South line of the N/2 NW SW SW, 462.29 feet to the POINT OF BEGINNING; thence N 01°15'46" W, 330.71 feet to a point along the North line of the N/2 NW SW SW; thence N 89°04'58" E along the North line of the N/2 NW SW SW, 131.71 feet; thence S 01°15'46" E, 330.76 feet to a point along the South line of the N/2 NW SW SW; thence S 89°06'13" W along the South line of the N/2 NW SW SW, 131.71 feet to the POINT OF BEGINNING. Containing 1.00 acre.



**FLOOD STATEMENT: THIS PROPERTY IS NOT IN A FEMA S.F.H.A. ACCORDING TO FIRM MAP 4005350200A, 5/15/1991.**



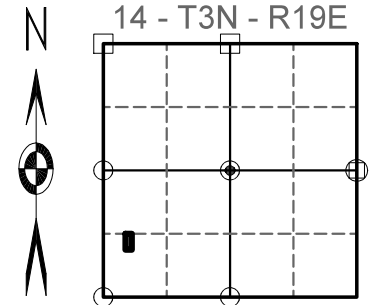
BASIS OF BEARINGS: N 89°06'13" E ALONG THE SOUTH LINE OF THE N/2 NW SW SW FROM S.P.C. OK SOUTH ZONE.

DATE OF SURVEY: 9-24-2024  
PROJECT: 24-09-014 richey



22828 Grand View Dr,  
Poteau, OK 74953  
OK CA# 8028  
918.413.5324  
F918.612.2076  
lloydlandsurveying.com

I, Jason Lloyd, Professional Land Surveyor #1971 in Oklahoma do hereby certify to the party shown that this is a true representation of a survey performed under my supervision and according to the Oklahoma Minimum Standards.



- SET IRON PIN & CAP
- EXISTING REBAR
- EXISTING STONE
- △ EXISTING MONUMENT
- NAIL
- RAILROAD SPIKE