

ITEM	QTY	NAME	DESCRIPTION	ITEM	QTY	NAME	DESCRIPTION	ITEM	QTY	NAME	DESCRIPTION
76D	2	90° ELBOW	3" GALV	39	1						
76C	1	CHECK VALVE	2" MIDWEST								
76B	AS REQD	PIPE SCH 40	3" GALV								
76A	3	FIRE HYDRANT BREAK AWAY SEALS & SEAL KITS	FOR 6" FLANGE CONNECTION BURY TO FIRE HYDRANT	38	1	AIR RELEASE VACUUM BREAKER VENT	SCHRAEDER VALVE				
76	23	CONCRETE THRUST BLOCKS	3.5 YDS ³	37	-	STORAGE TANK ASSY WITH FLOAT SWITCH	8000 GAL 10'-8" x 12'H PER DWG 30189AF ₃				
75	3	6" STD STL BURY PIPE	4-2" HIGH FLANGE JOINT AT HYDRANT END MECH. JOINT AT SUPPLY END	36							
74	1	6" PVC PIPE 6.500 OD x 20' LENGTH	DW PIPE TWIN SEAL CLASS 200 DR 14 (C-900)	35	1	REDUCING COUPLING	4" x 2" GALV.				
73	1	PVC TEE, RED. G x G x G	FLOW SEAL GASKET FITTING 6" x 6" x 4" # 660-532	34	2	UNTHREADED WATER SAMPLING SPIGOT	3/4" BRASS FAUCET				
72	8	PVC TEE, RED. G x G x FIPT	FLOW SEAL GASKET FITTING 4" x 4" x 1/2" THD. # 667-419	33	3	ISOLATION VALVE	RED & WHITE # 206 4" BRASS GATE VALVE				
71	4	PVC COUPLING G x G	FLOW SEAL GASKET FITTING 6" x 6" REPAIR CLIP # 654-060	32	2	DRAIN VALVE	RED & WHITE # 206 1" BRASS GATE VALVE				
70	4	PVC COUPLING G x G	FLOW SEAL GASKET FITTING 4" x 4" REPAIR CLIP # 654-040	31	2	HYDRO-PNEUMATIC TANK	480 GAL GALV TANK # 6813-258				
69	6	MAIN-PVC PIPE 4" 4.500 OD x 20' LENGTHS	PW TWIN SEAL GASKETED PIPE 4" PR200-SDR 21 (IPS)	30	1	PRESSURE SWITCH NO 2	SET 0 PSI ON, 42 PSI OFF				
68	2	PVC 90° ELBOW G x G	FLOW SEAL GASKET FITTING 4" x 4" 90° EL. # 661-040	29A	1	PRESSURE SWITCH NO 3	SET 0 PSI ON, 65 PSI OFF				
67	8	REDUCER ELBOW 90°	1 1/2" x 1" GALV. STL.	28	1	HOLLOW CONCRETE PRESS. TANK MTG. BASE	2 1/2" H x 5' W x 10' L x 6" WALL				
66	8	PVC 45° ELBOW G x G	FLOW SEAL GASKET FITTING 6" x 6", 45° EL # 662-060	27	4	UNION	4" GALV.				
65	8	UTILITY SERVICE METER BOX WITH LID.	CHRISTY B-16 12" x 22 1/4" OR PLASTIC EQUIV.	26	2	REDUCING COUPLING	2 1/2" x 2" GALV.				
64	8	PLUG, FEMALE	1" GALV.	25	2	90° REDUCING ELBOW	4" x 2" GALV.				
63	8	90° ELBOW	1 1/2" GALV.	24	7	UNION	2" GALV.				
62	AS REQ	PIPE	1 1/2" GALV. SCH 40	23	2	THREADED BUSHING	1 1/4" x 1 1/2" GALV.				
61	8	PVC REDUCTION TEE G x G x FIPT	FLOW SEAL GASKET FITTING 6" x 6" x 1/2" THD # 667-526	22	2	REDUCING COUPLING	4" x 3" GALV				
60	6	PVC 90° ELBOW G x G	FLOW SEAL GASKET FITTING 6" x 6", 90° EL # 661-060	21	2	PIPE NIPPLE SCH 40	2 1/2" GALV x 4" LG				
59	2	PVC REDUCER BUSHING 6" x 4" SPG X G	FLOW SEAL GASKET FITTING REDUCER BUSH. # 665-532	20	2	CENTRIFUGAL PUMP BERKELY MOD B1 1/2 TPMS	1 #, 230 VOLT 5 HP				
58	3	PVC TEE, G x G x G	FLOW SEAL GASKET FITTING TEE 6" x 6" x 6" # 658-060	19	10	90° ELBOW, LONG RADIUS	4" GALV.				
57	5	PVC ASA PIPE FLANGE	6" RYAN HERCO 3851-060	18	1	HOLLOW CONCRETE PUMP MTG. BASE	33" H x 6' W x 7' LG x 8" WALL				
56	3	FIRE HYDRANT 6 INLET ASA MTG FLANGE	4 1/2" & 2 1/4" CONNECTIONS NO. 850 CLOW STEAMER	17	3	PLUG, MALE ACCESS & DISINFECT PORTS	1 1/4" GALV.				
55	65	MAIN-PVC PIPE 6" 6.625 OD x 20' LENGTHS	PW PIPE TWIN SEAL GASKETED PIPE 6" PR200-SDR 21 (IPS)	16	4	TEE	4" x 4" x 4" GALV.				
54	1	4" GATE VALVE WITH ASA FLANGE BOTH ENDS	4" MUELLER GATE VALVE + BOLTS & GASKETS # A-2473-6	15	AS REQ	PIPE SCH 40	4" GALV.				
53	3	GATE VALVE WITH MECH. JOINT x FLANGED ENDS	6" MUELLER GATE VALVE + BOLTS, GLAND & GASKET # A-2370-16	14	3	BACK FLOW CHK. VALVE	RED & WHITE # 206 2" BRASS SWING CHECK CLEAR WAY				
52	3	TRAFFIC VALVE BOX (WATER) + CAST IRON LID & 12" EXTENSION	CHRISTY B-8 13" I.D. x 12" + GSC LID & 8" x 12" EXTENSION	13	3	TEE, STL	2" x 2" x 2" GALV.				
51	2	FLANGE GASKET & BOLT PACK KIT	6" RYAN HERCO # 3860-060 OR EQUIV.	12	1	FLOW METER, WATER	2" RATE & VOLUME				
50	2	FLANGE GASKET & BOLT PACK KIT	4" RYAN HERCO # 3860-040 OR EQUIV.	11	AS REQ	PIPE SCH 40	2" GALV.				
49	2	PVC ASA PIPE FLANGE	4" RYAN HERCO 3851-040	10	5	90° ELBOW	2" GALV.				
48	2	GRAVEL RING	STL, 2 FT HIGH x 12" DIA	9	4	TEE, REDUCING	4" x 4" x 1 1/4" GALV.				
47	AS REQ	DEA GRAVEL	STORAGE TANK SUPPORT	8	1 SET	WELL HEAD SEAL	6 5/8" x 2" WITH SEAL & PLUG				
46	1	THREADED BUSHING	1" x 3/4" GALV	7	1	WELL VENT	PIPE & SCREEN HEAD				
45	AS REQ	PIPE	1 1/4" GALV. SCH 40	6	7	ISOLATION VALVE	RED & WHITE # 206 2" BRASS GATE VALVE				
44	1	TEE, REDUCING	1 1/4" x 1 1/4" x 3/4" GALV.	5	1	ELECT. PWR. METER	SO. CAL. ELECT				
43	AS REQ	PIPE	3/4" GALV. SCH 40	4	1	PUMP PLANT ELEC BOX & PANEL WITH EQUIPMENT	FUSABLE-DISC. STYLE 1 MAG, STARTER (3)K-68 HEATERS				
42	2	TEE, REDUCING	2" x 2" x 1" GALV.	3	225 FT	ELECTRIC CABLE SUBMERSIBLE	NO 8 JACKETED				
41	2	TEE, REDUCING	4" x 4" x 2" GALV.	2	210 FT	DROP PIPE SCH 40	2" GALV.				
40		FLOAT SWITCH	ELECT. HG-4 SQUARE D	1	1	SUBMERSIBLE PUMP AERMOTOR 4ST 50-500	1 #, 230 VOLT, 5HP				

116	8	PLUG, MALE NPT	1 1/2" STL. GALV.	104	1	UNION, STL	1 1/2" GALV.
115	2	STL PIPE NIPPLE, SCH 40	2" x 2'-6" LG GALV	103	1	TEE, STL	1 1/2" x 1 1/2" x 1 1/2" GALV
114	2	PRESSURE RELIEF VALVE	2" BERMAT OR WATT 100-150 PSIG SETTING	102	AS REQD	PIPE, SCH 40	1 1/2" GALV
113	2			101	1	AIR VOLUME CONTROL	MODEL G10 115V 60HZ BRYANT PUMP & SUPPLY
112	1	STL PIPE NIPPLE	2" x 6" LONG, GALV	100	1	PRESSURE RELIEF VALVE	2" THRD - WELL PUMP
111	1	PVC PIPE - 12FT LONG	RYAN HERCO # 3900-020 2" OR EQUIV.	82	2 (GA)	GASKET JOINT LUBRICANT	PW GASKETED PIPE LUBRICANT
110	2	PVC REDUCER SPG X S	RYAN HERCO # 3437-250 2" x 1 1/2" STYLE 1, OR EQUIV.	81	1 (QT)	PVC PIPE PRIMER # P-70	RYAN HERCO # 3484-030 QUART OR EQUIV.
109	1	SERVICE TEE PVC G x G x FIPT	FLOW SEAL GASKET FITTING 6" x 6" x 2" THD. # 667-528	80	1 (QT)	PVC CEMENT GREY SLOW SET # 711	RYAN HERCO # 3877-030 QUART OR EQUIV.
108	3	PVC TEE 5 x 5 x T	RYAN HERCO # 3402-020 2 1/2" x 2" THRO. OR EQUIV.	79	6	REPLACEMENT GASKET	FLOW SEAL GASKET 6" WGS-060
107	1	PUMP SHED 6' x 5'	WOOD FRAME CONSTR.	78	6	REPLACEMENT GASKET	FLOW SEAL GASKET 4" WGS-040
106	AS REQD	INSULATION	WRAP PIPE WITH INSULATION TAPE & SEAL	77	1	G" GATE VALVE WITH ASA FLANGE - BOTH ENDS	G" MUELLER GATE VALVE + BOLTS & GASKETS # A-2473-6
105	1	90° ELBOW, STL	1 1/2" GALV	76E	2	UNION	3" GALV STL

NOTES:
 1. THIS SYSTEM IS DESIGNED IN ACCORDANCE WITH CALIF. HEALTH AND SAFETY CODE AND THE CALIF. ADMINISTRATIVE CODE TITLE 22 1980.
 2. DESIGN OF THIS SYSTEM HAS BEEN COORD. WITH THE REQUIREMENTS OF THE KERN COUNTY FIRE DEPT.

LANDMARK WATER CO INC

COMMUNITY WATER DISTRIBUTION SYSTEM

OWNER: A.F. SMOOT
10380 ANDERSON RD.
SAN JOSE, CA. 95127

ENGR. [Signature] 9/14/87

FIRE DEPT.

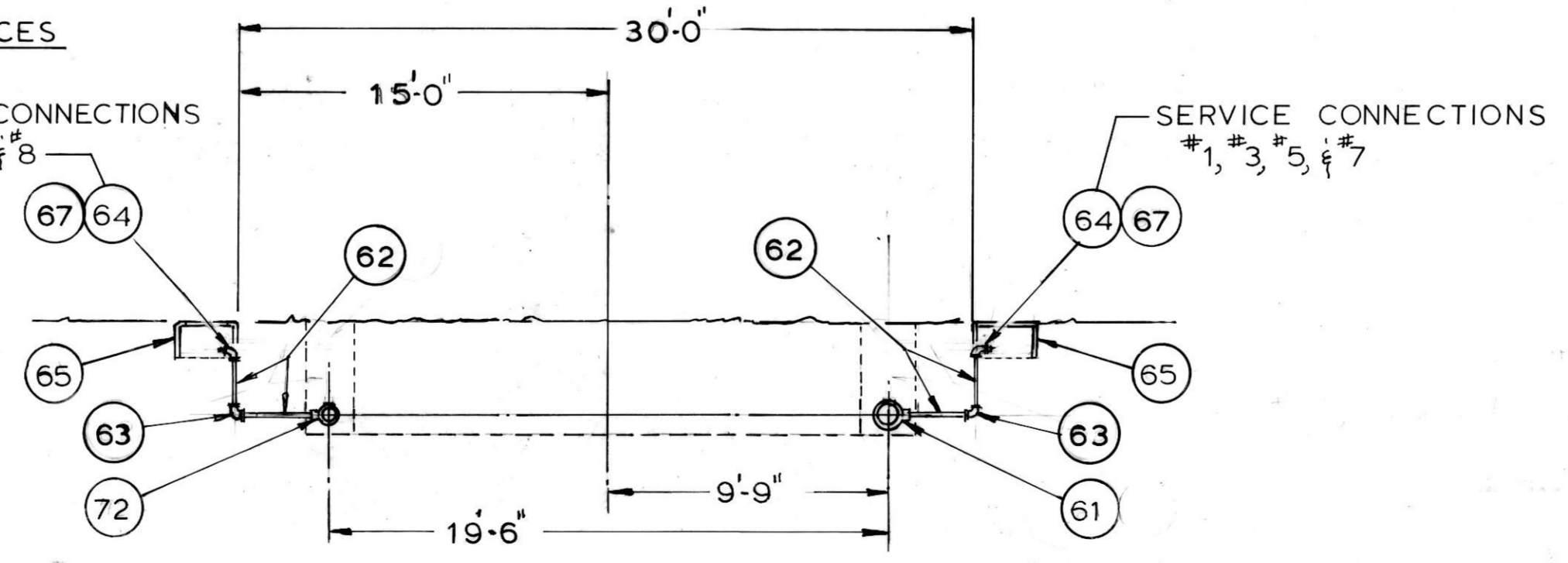
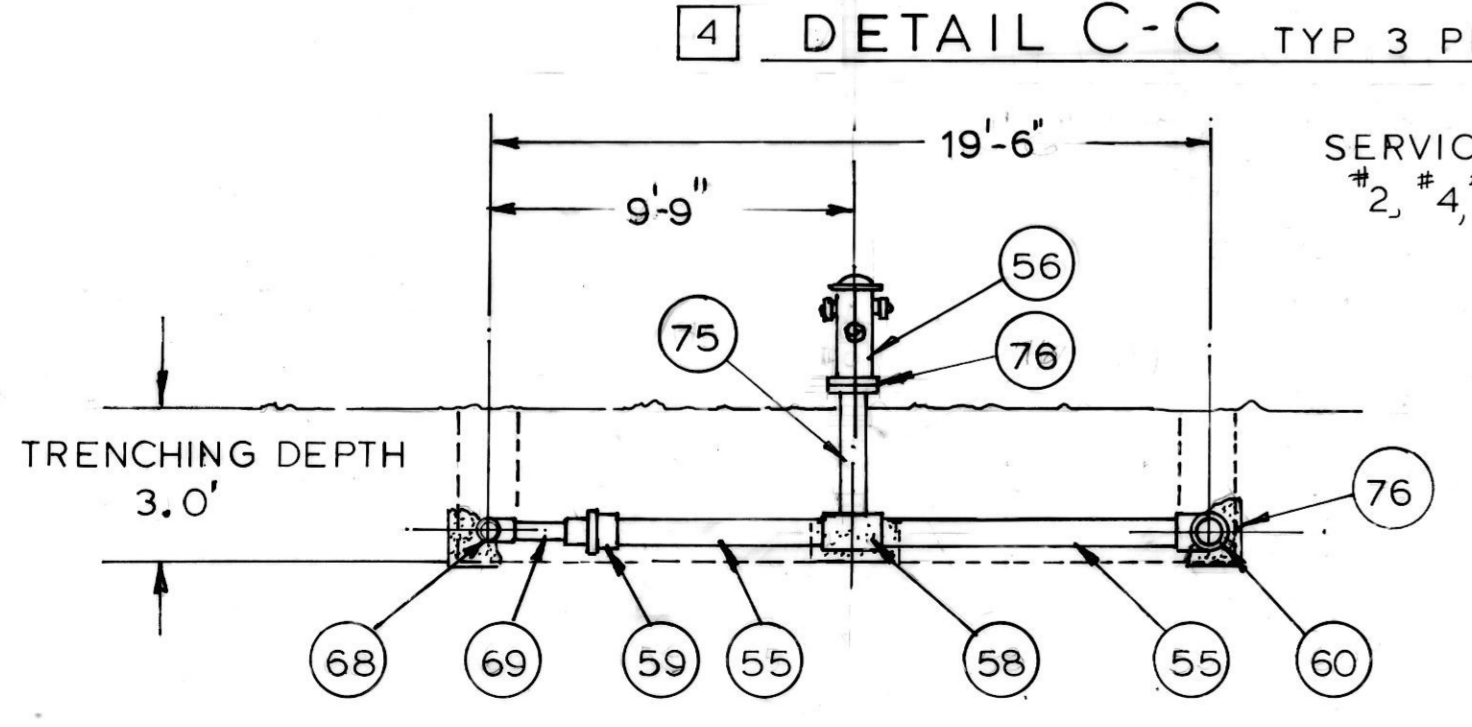
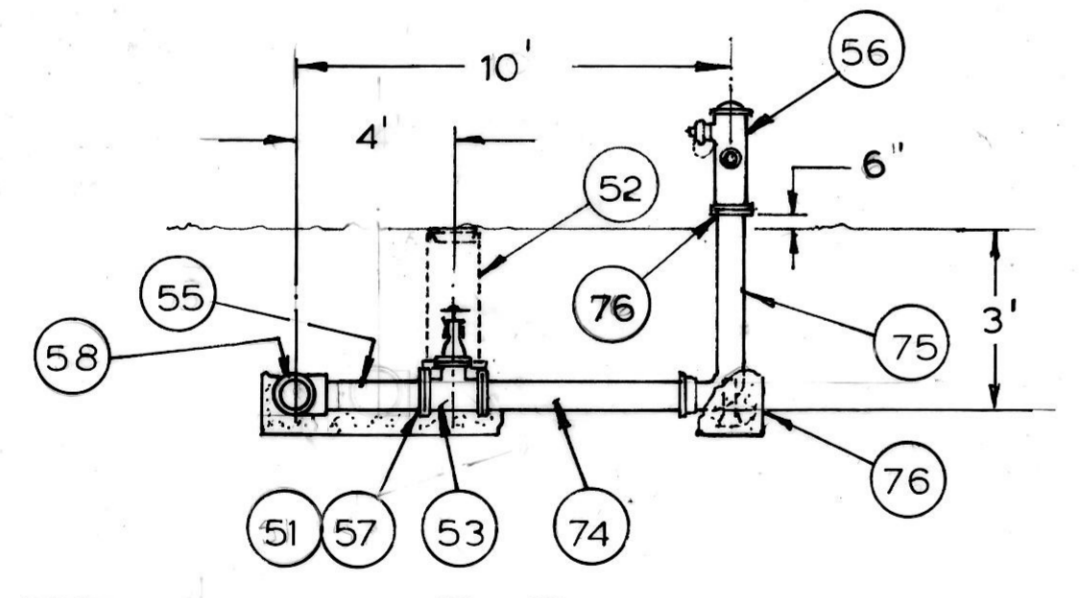
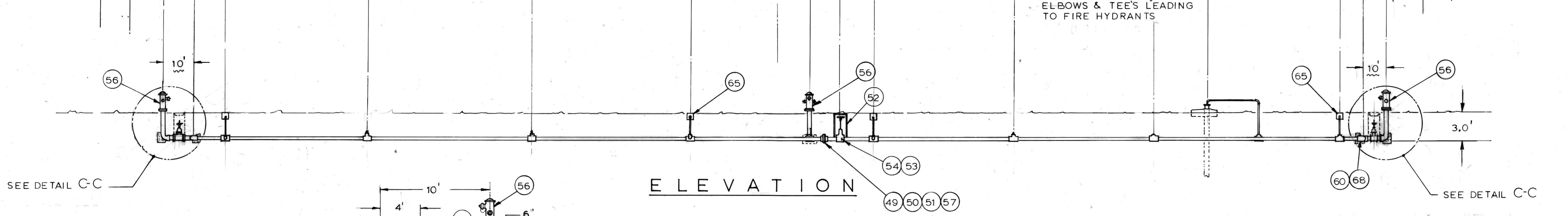
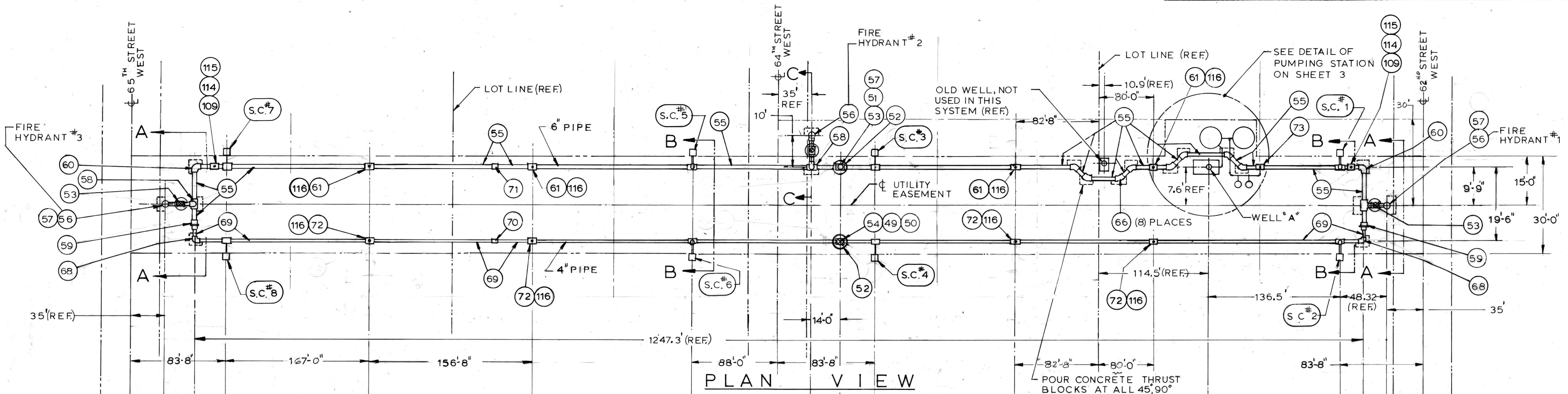
HEALTH DEPT.

SIZE D CODE IDENT DRAWING NO. 90887A FS REV B

SCALE 1" = 100'

SHEET 1 of 3

ZONE		REVISIONS		DATE	APVD
LTR	DESCRIPTION				



- NOTES:
- PVC PIPE & FITTINGS SHALL BE INSTALLED IN ACCORDANCE WITH APPENDIX "A" OF AWWA STD. C900-75 AS PUBLISHED IN AMERICAN WATER WORKS ASSOC. JOURNAL 67(12):701-712 DEC. 1975.
 - THE WATER MAIN AND SYSTEM SHALL BE HYDROSTATICALLY TESTED AND SHALL SHOW NO SIGNS OF RUPTURE OR LEAKAGE WHEN PRESSURIZED TO 150 PSIG.
 - THE WATER MAIN AND SYSTEM SHALL BE DISINFECTED IN ACCORDANCE WITH AWWA C601-68 BEFORE BEING PLACED IN TO SERVICE.
 - FIRE HYDRANTS TO BE INSTALLED PER DETAILS OF KERN COUNTY FIRE HYDRANT STANDARDS, BAKERSFIELD CA.

LANDMARK WATER CO. INC			
COMMUNITY		ENGR. <i>A. F. Smoot</i> 7/8/87	
WATER DISTRIBUTION SYSTEM		FIRE DEPT	
WATER MAIN LOOP		HEALTH DEPT	
OWNER: A. F. SMOOT 10380 ANDERSON RD SAN JOSE, CA. 95127	SIZE D	CODE IDENT	DRAWING NO. 90887AFS
	SCALE NONE		REV A
			SHEET 2 of 3

