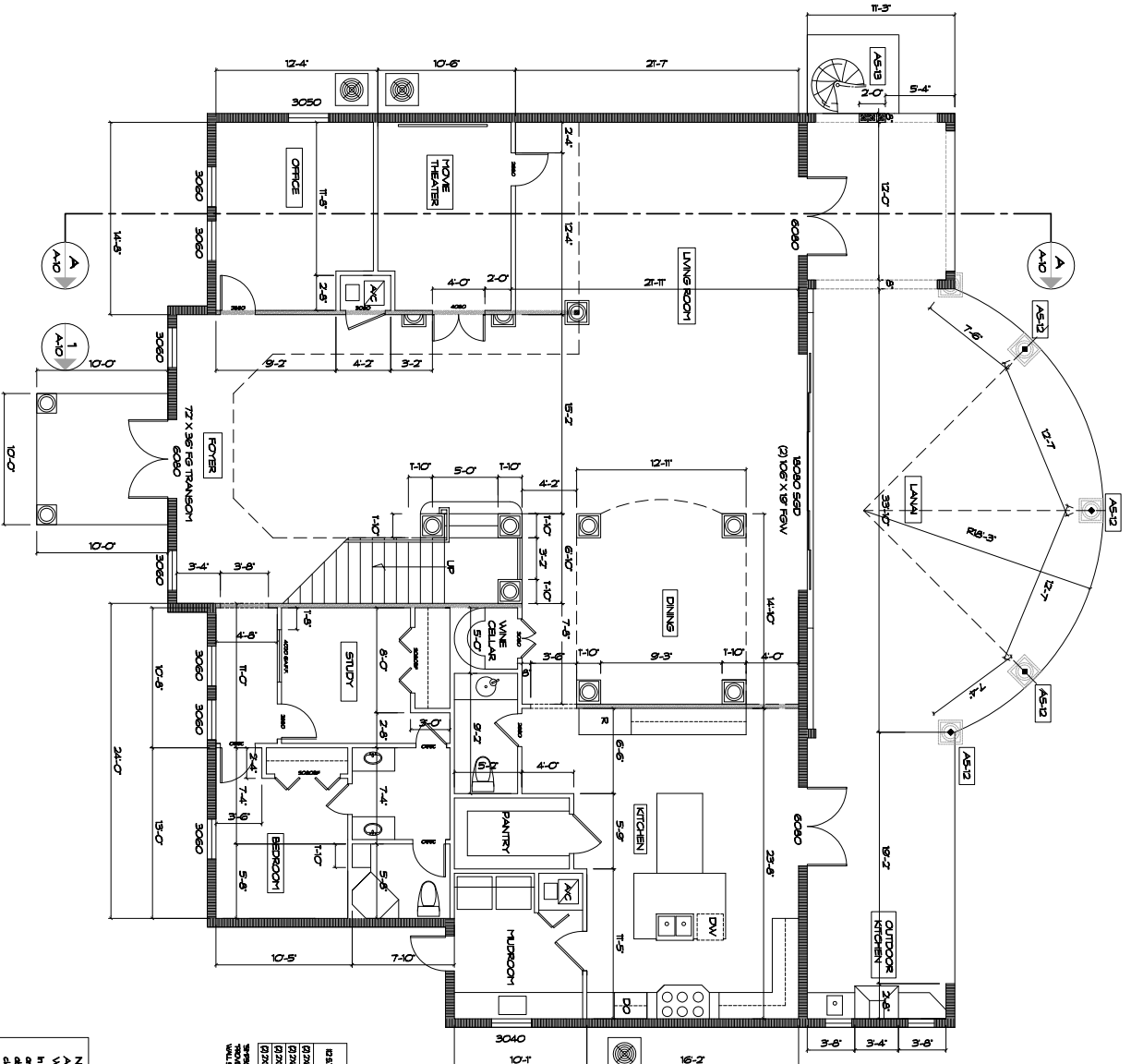


FIRST FLOOR PLAN B-1

SCALE 1/4"=1'-0"



NOTE:
 ALL SECOND FLOOR WINDOWS SHALL COMPLY WITH SECTION B2B3
 In dwelling units, where the opening of an operable window is located more than 72 inches (1829 mm) above the finished floor, the window shall be a minimum of 24 inches (609 mm) above the finished floor of the room.

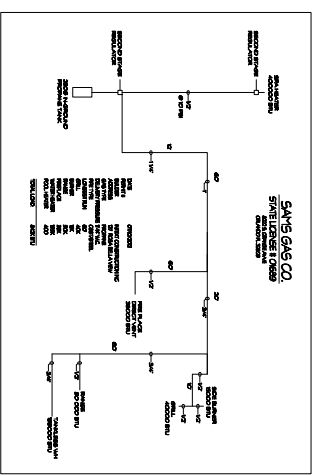
WINDOW SCHEDULE FIRST FLOOR

NO.	TYPE	FINISH	OPERABLE	SCREEN	SHUTTERS	SHUTTERS	SHUTTERS	SHUTTERS	SHUTTERS	SHUTTERS
1	6'-0" x 4'-0"	WOOD	NO	NO	NO	NO	NO	NO	NO	NO
2	6'-0" x 4'-0"	WOOD	NO	NO	NO	NO	NO	NO	NO	NO
3	6'-0" x 4'-0"	WOOD	NO	NO	NO	NO	NO	NO	NO	NO
4	6'-0" x 4'-0"	WOOD	NO	NO	NO	NO	NO	NO	NO	NO
5	6'-0" x 4'-0"	WOOD	NO	NO	NO	NO	NO	NO	NO	NO
6	6'-0" x 4'-0"	WOOD	NO	NO	NO	NO	NO	NO	NO	NO
7	6'-0" x 4'-0"	WOOD	NO	NO	NO	NO	NO	NO	NO	NO
8	6'-0" x 4'-0"	WOOD	NO	NO	NO	NO	NO	NO	NO	NO
9	6'-0" x 4'-0"	WOOD	NO	NO	NO	NO	NO	NO	NO	NO
10	6'-0" x 4'-0"	WOOD	NO	NO	NO	NO	NO	NO	NO	NO

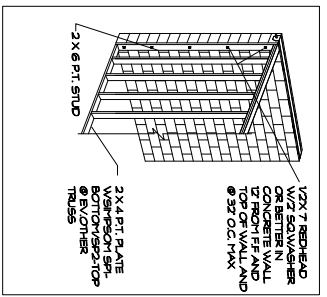
LOAD BEARING WALLS MEMBER SCHEDULE CHART

NO.	MEMBER	FINISH	OPERABLE	SCREEN	SHUTTERS	SHUTTERS	SHUTTERS	SHUTTERS	SHUTTERS	SHUTTERS
1	6'-0" x 4'-0"	WOOD	NO	NO	NO	NO	NO	NO	NO	NO
2	6'-0" x 4'-0"	WOOD	NO	NO	NO	NO	NO	NO	NO	NO
3	6'-0" x 4'-0"	WOOD	NO	NO	NO	NO	NO	NO	NO	NO
4	6'-0" x 4'-0"	WOOD	NO	NO	NO	NO	NO	NO	NO	NO
5	6'-0" x 4'-0"	WOOD	NO	NO	NO	NO	NO	NO	NO	NO
6	6'-0" x 4'-0"	WOOD	NO	NO	NO	NO	NO	NO	NO	NO
7	6'-0" x 4'-0"	WOOD	NO	NO	NO	NO	NO	NO	NO	NO
8	6'-0" x 4'-0"	WOOD	NO	NO	NO	NO	NO	NO	NO	NO
9	6'-0" x 4'-0"	WOOD	NO	NO	NO	NO	NO	NO	NO	NO
10	6'-0" x 4'-0"	WOOD	NO	NO	NO	NO	NO	NO	NO	NO

PROPANE RISER DIAGRAM



FRAME TO BLOCK DETAIL



AREA VALLATION

FLOOR	AREA	FINISH	OPERABLE	SCREEN	SHUTTERS	SHUTTERS	SHUTTERS	SHUTTERS	SHUTTERS	SHUTTERS
FIRST FLOOR	3000 SQUARE	WOOD	NO	NO	NO	NO	NO	NO	NO	NO
SECOND FLOOR	3000 SQUARE	WOOD	NO	NO	NO	NO	NO	NO	NO	NO
TOTAL LIVING	6000 SQUARE	WOOD	NO	NO	NO	NO	NO	NO	NO	NO
LAUNDRY	800 SQUARE	WOOD	NO	NO	NO	NO	NO	NO	NO	NO
GARAGE	2000 SQUARE	WOOD	NO	NO	NO	NO	NO	NO	NO	NO
ENTRY	100 SQUARE	WOOD	NO	NO	NO	NO	NO	NO	NO	NO
BALCONY 1	100 SQUARE	WOOD	NO	NO	NO	NO	NO	NO	NO	NO
BALCONY 2	100 SQUARE	WOOD	NO	NO	NO	NO	NO	NO	NO	NO
TOTAL LIVING ROOM	8800 SQUARE	WOOD	NO	NO	NO	NO	NO	NO	NO	NO

DR. GEORGE T. BESONG
 2111 HONTON ROAD, DELAND FL

DR. GEORGE T. BESONG
 2111 HONTON ROAD, DELAND FL

DR. GEORGE T. BESONG
 2111 HONTON ROAD, DELAND FL

DR. GEORGE T. BESONG
 2111 HONTON ROAD, DELAND FL

DR. GEORGE T. BESONG
 2111 HONTON ROAD, DELAND FL

DR. GEORGE T. BESONG
 2111 HONTON ROAD, DELAND FL

DR. GEORGE T. BESONG
 2111 HONTON ROAD, DELAND FL

DR. GEORGE T. BESONG
 2111 HONTON ROAD, DELAND FL

DR. GEORGE T. BESONG
 2111 HONTON ROAD, DELAND FL